

BAINTER

CENTER RING SUPPORT AND ROLLING STAIRWAY

BAINTER CONSTRUCTION SERVICES, L.L.C.
P.O. BOX 705 HOXIE, KS 67740
PHONE: 785-675-3297
FAX: 785-675-3649



Thank you for your purchase of the Bainter Center Ring Support and Rolling Stairway. We are here to serve your grain bin construction needs with equipment that makes your work easier, faster, and safer.

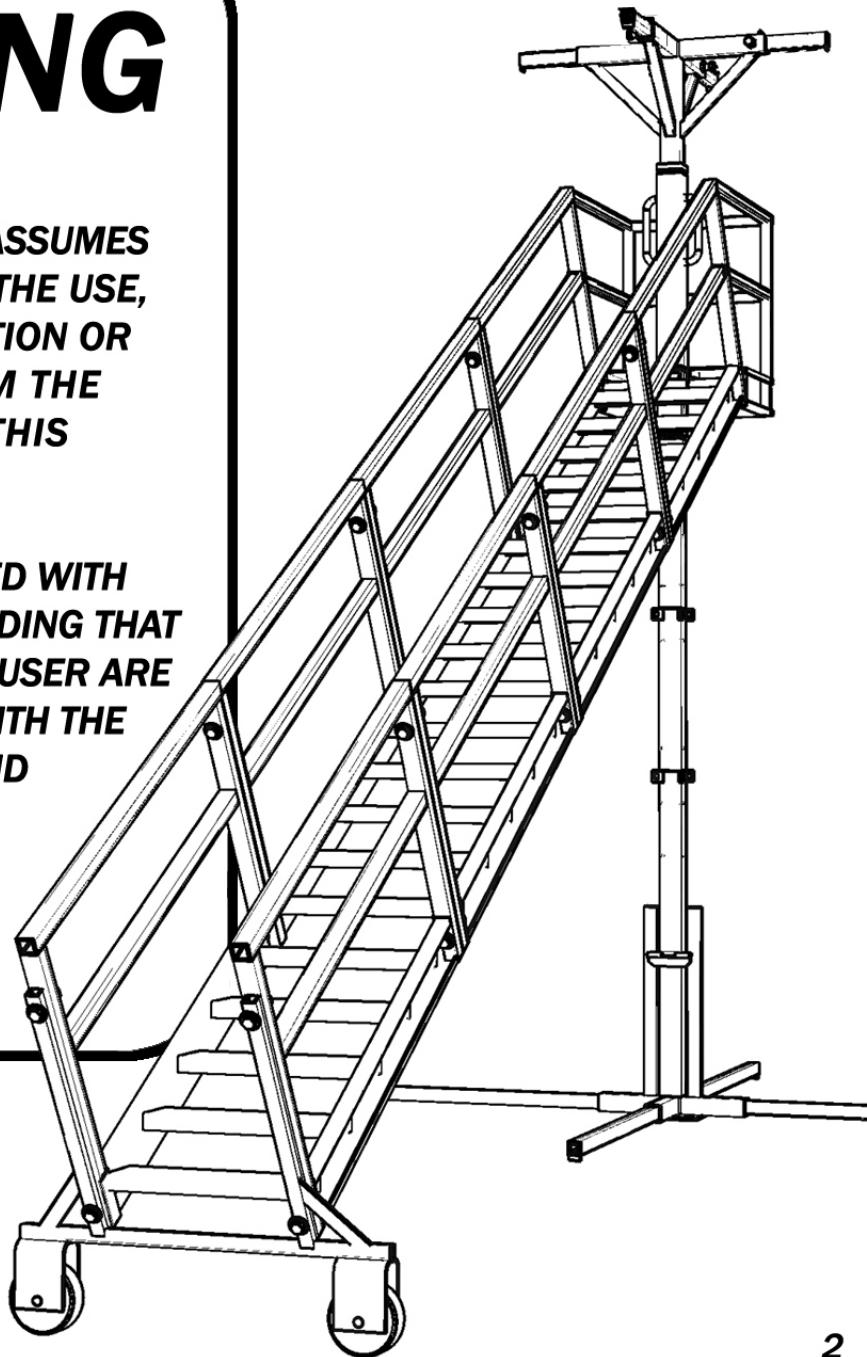
BAINTER

CENTER RING SUPPORT AND ROLLING STAIRWAY

WARNING

***BAINTER CONSTRUCTION ASSUMES
NO RESPONSIBILITY FOR THE USE,
OPERATION, MISAPPLICATION OR
INJURY RESULTING FROM THE
OPERATION OR USE OF THIS
EQUIPMENT.***

***THIS PRODUCT IS PROVIDED WITH
THE EXPRESS UNDERSTANDING THAT
THE PURCHASER AND/OR USER ARE
THOROUGHLY FAMILIAR WITH THE
CORRECT APPLICATION AND
PROPER USE OF THIS
CENTER RING SUPPORT
AND ROLLING STAIRWAY.***



BAINTER

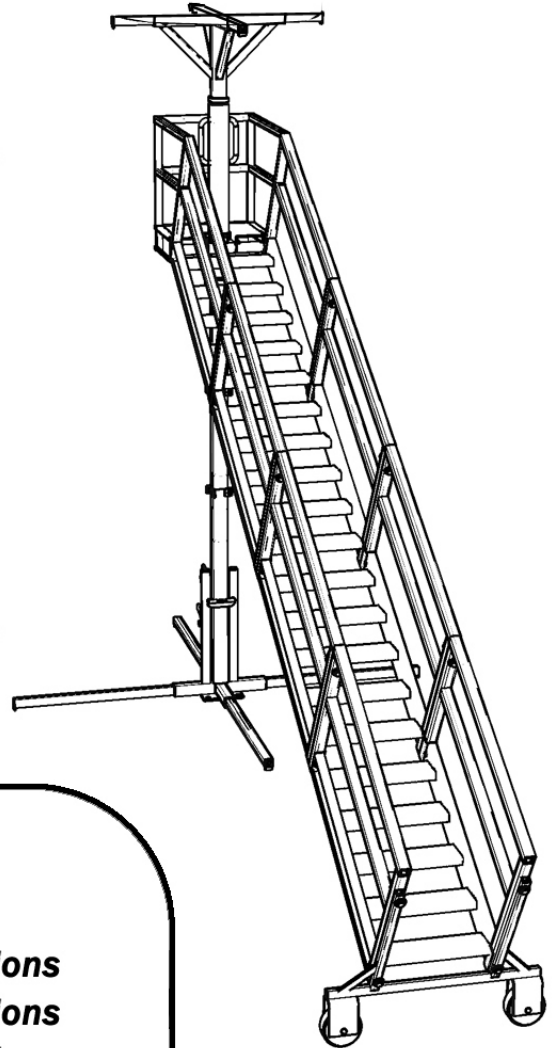
CENTER RING SUPPORT AND ROLLING STAIRWAY

Note: The figures below assume the roof is being built over 1 ring: If the roof is being built over 2 rings additional parts will be required.

CENTER POLE SPECIFICATIONS

BIN DIA.	CENTER POLE PIECES			
36'	(1) 3'	(1) 5'		
42'	(1) 3'	(1) 5'	(1) 2'	
48'	(1) 3'	(1) 5'	(3) 2'	
54'	(1) 3'	(1) 5'	(3) 2'	
60'	(1) 3'	(1) 5'	(3) 2'	
72'	(1) 3'	(1) 5'	(4) 2'	
75'	(1) 3'	(1) 5'	(3) 2'	(1) 10'
78'	(1) 3'	(1) 5'	(3) 2'	(1) 10'
90'	(1) 3'	(1) 5'	(3) 2'	(1) 7'
105'	(1) 3'	(1) 5'	(3) 2'	(2) 7'

**3' POLE PIECE USED ONLY WHEN
BUILDING ROOF OVER 2 RINGS**



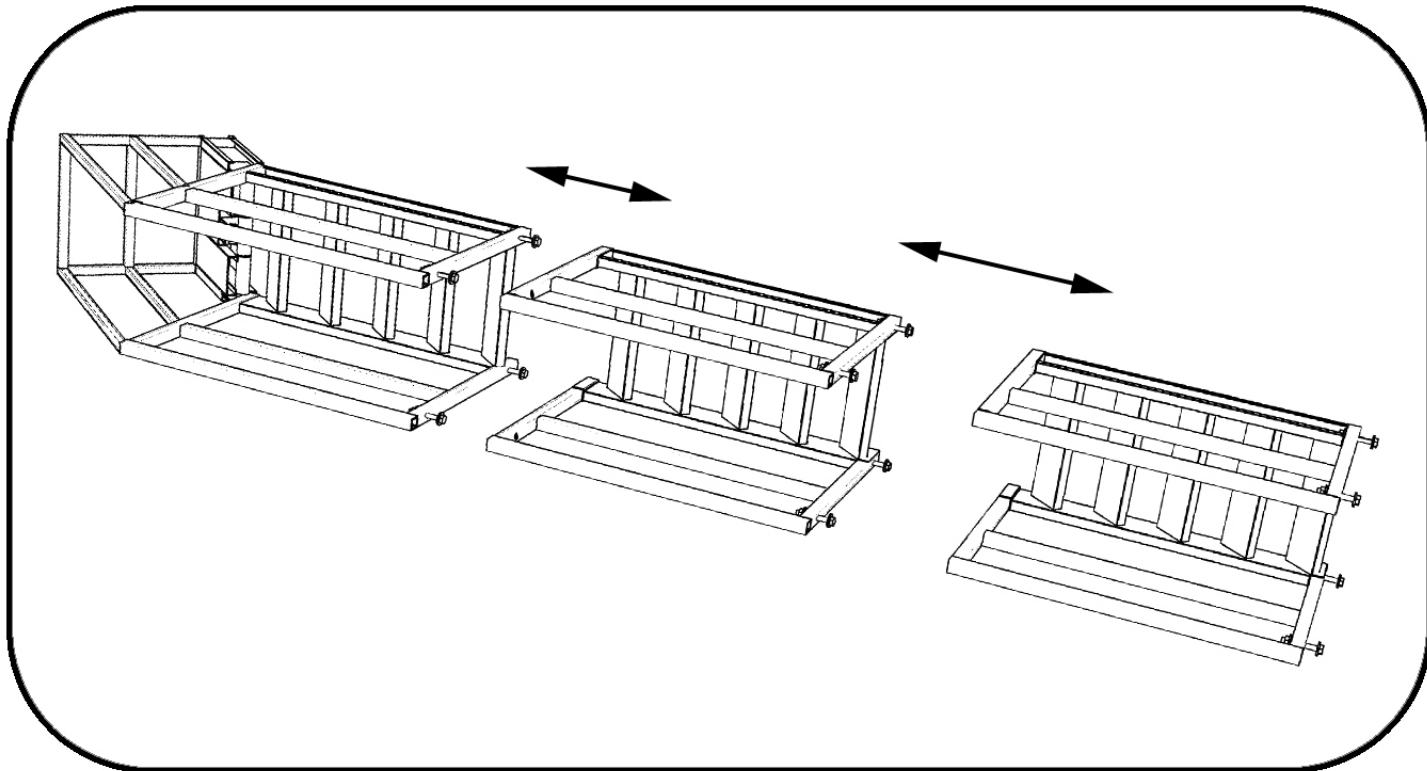
STAIRWAY SPECIFICATIONS

BIN DIA.	Rolling Stairway Size
36'-42'	Landing & (2) 5' Stair Sections
48'-54'	Landing & (3) 5' Stair Sections
60'	Landing & (4) 5' Stair Sections
72'	Landing & (6) 5' Stair Sections
75'	Landing & (7) 5' Stair Sections
78'	Landing & (8) 5' Stair Sections
90'	Landing & (9) 5' Stair Sections
105'	Landing & (10) 5' Stair Sections

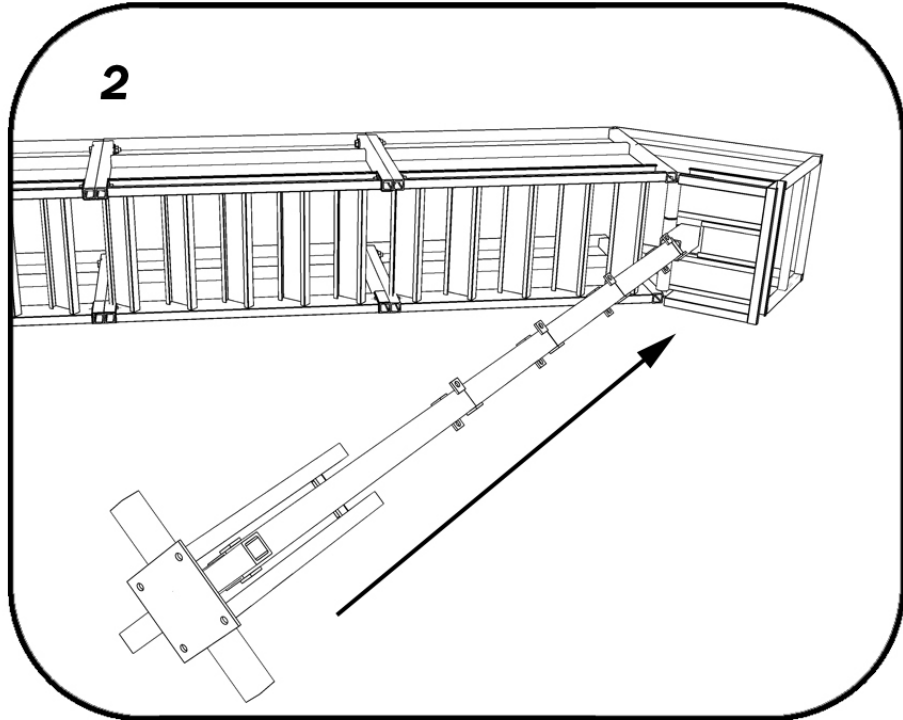
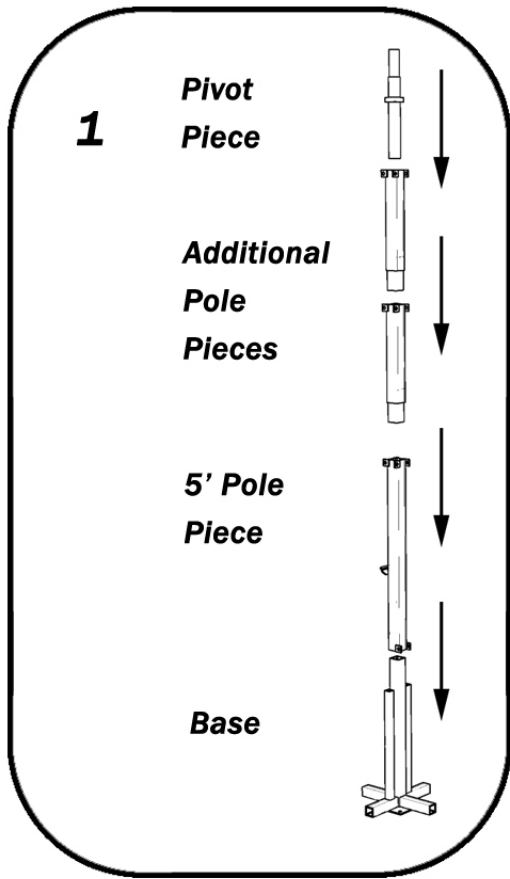
Rolling Stairway Assembly

Lay stair sections on their sides. Bolt each 5' stair sections and their handrails together using (4) 1/2"x5 1/2" Bolts for each 5' section.

NOTE: When bolting handrails and stair sections together be sure that the treads are facing the proper direction.

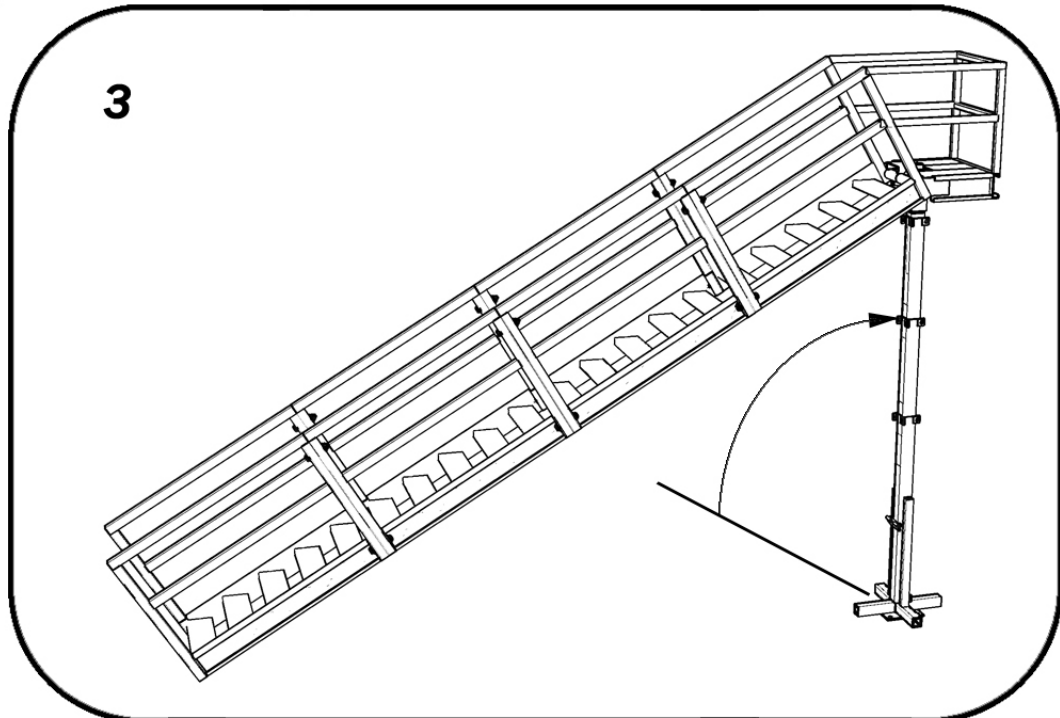


Center Tower Assembly



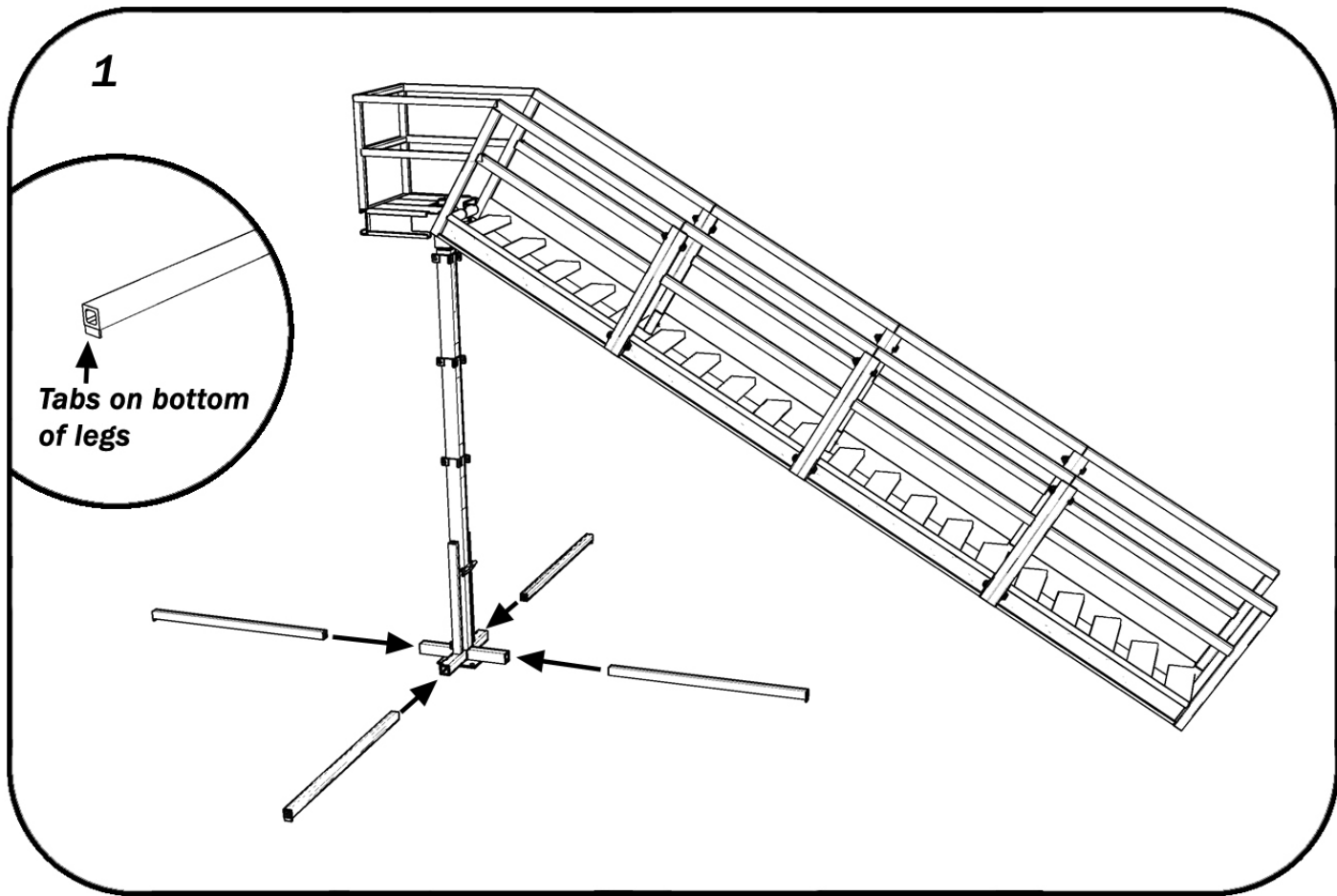
Slide the 4"x4"x5' pole piece over the base. (see fig 1) Note that the 4 round washers go toward the top. Slide in additional 4"x4" pieces as needed to reach the desired height. (see page 3 for comparison charts) Slide the pivot piece into the top pole piece.

Lay the center old down and slide the pivot piece into the receiver in the landing.(see fig.2)



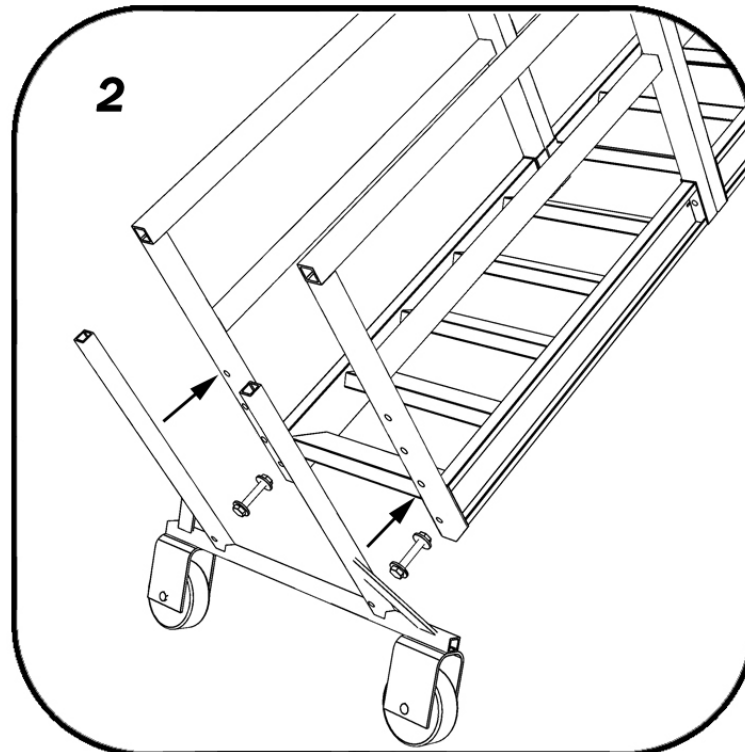
Raise the tower and stairway to it's vertical position. (see fig. 3) This can be done without additional lifting equipment on systems for 60' Dia. and smaller.

CENTER TOWER ASSEMBLY Cont..

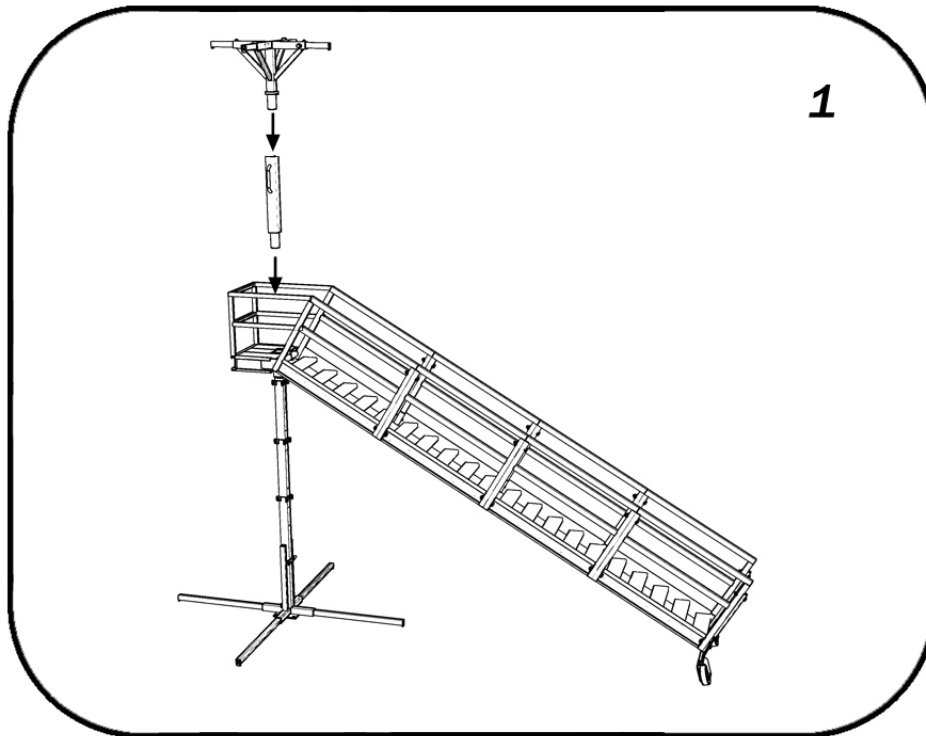


Immediately slide the legs into the receivers on the base. The steel tabs on the ends of the legs must face downward to prevent teetering of the tower.

Bolt the wheel assembly to the bottom stair section utilizing the pair of holes that results in the height required for your specific application.



CENTER TOWER ASSEMBLY *Cont..*



After the stairway is raised and the extension legs are slipped in place, the Center Ring support pieces should be installed at the landing

First the 4"x4"x3' pole piece with handles is set into the landing with the round pipe down over the pivot piece at the top of the center pole.

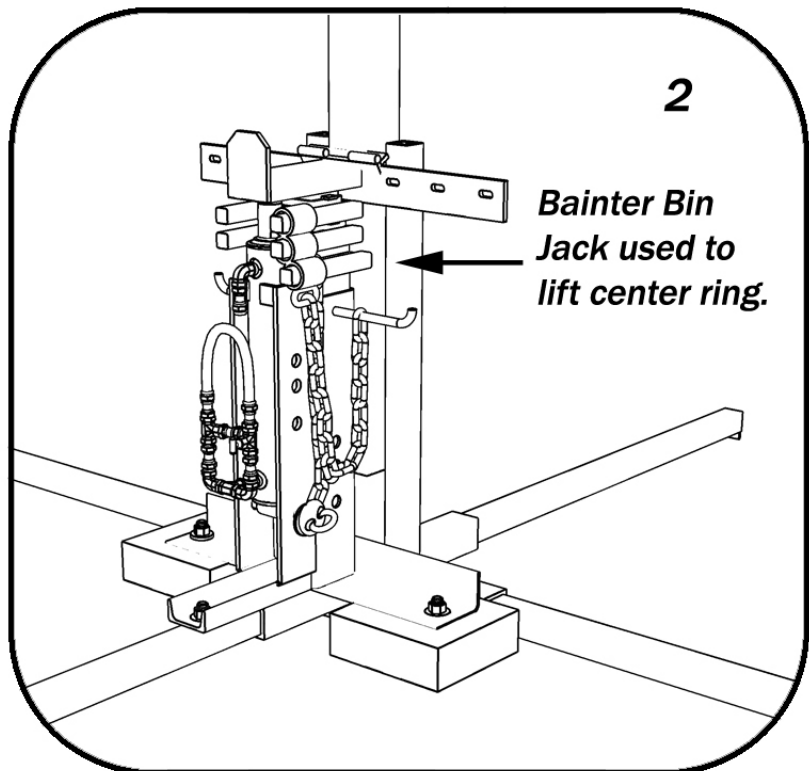
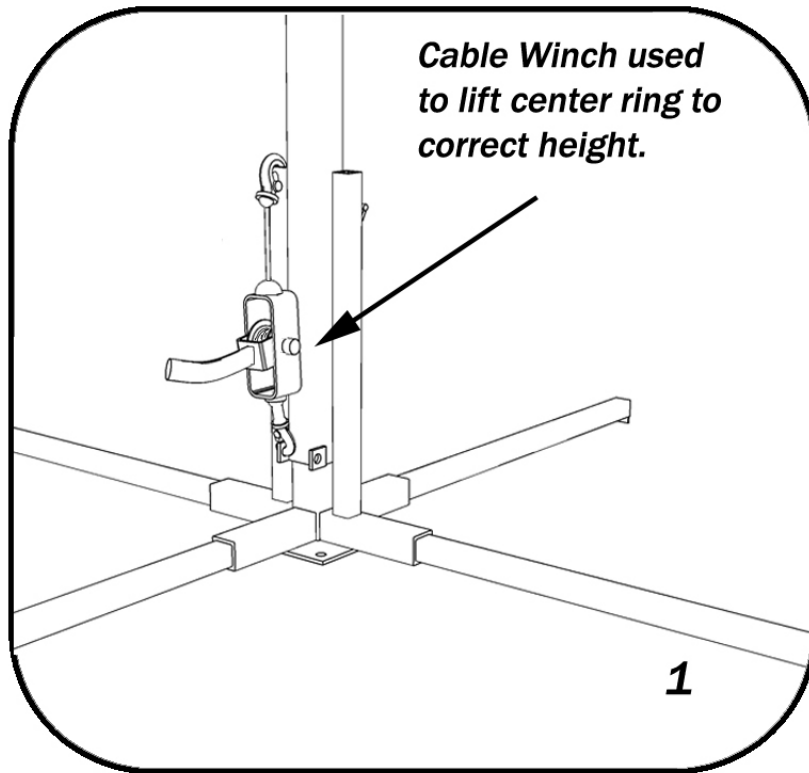
Next the 4 way ring support with four extension arms is fitted on top of the previous pole piece. The four extension arms should be adjusted in or out to firmly support the center ring (see fig 1)

Always tighten the four set bolts to secure each arm.

ADJUSTING THE CENTER POLE HEIGHT

WARNING

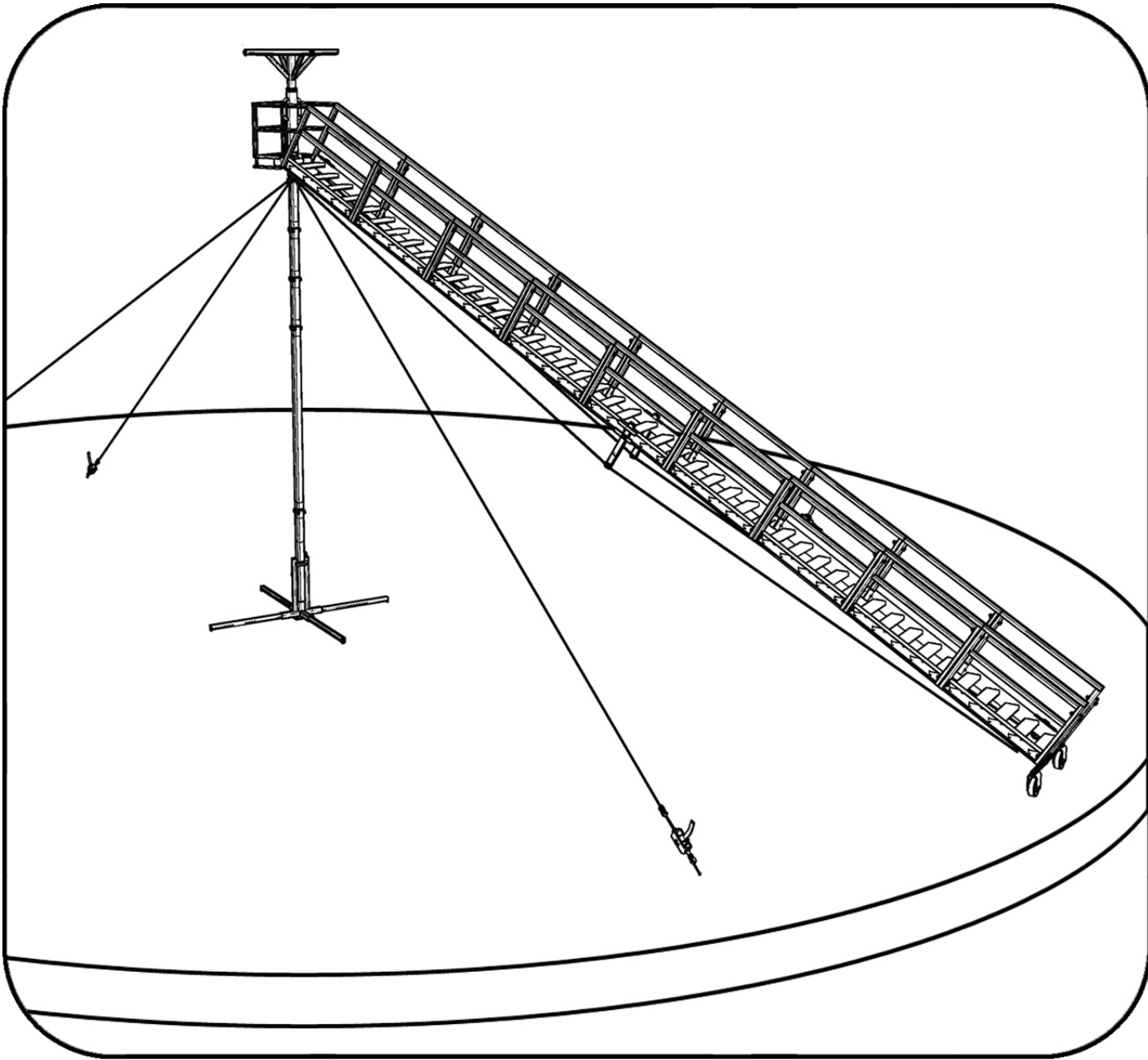
This is a center ring support system. This IS NOT a center roof support system. It IS NOT designed to support the entire weight of the roof structure. Your roof needs to be constructed so it is supporting its own weight as it is assembled.



After The center ring is in place, raise the center pole to the correct height. This can be accomplished in two ways. A cable winch can be used as pictured above (fig 1), or a "Bainter" hydraulic bin jack in the 32" position can be used by placing the bolt strap under the bracket welded to the side of the 5' starter pole. as pictured at left (fig 2).

NOTE: Never lift your center pole more than 2'. If the more height is needed more extension pieces should be added to the center pole.

BAINTER CENTER RING SUPPORT AND ROLLING STAIRWAY



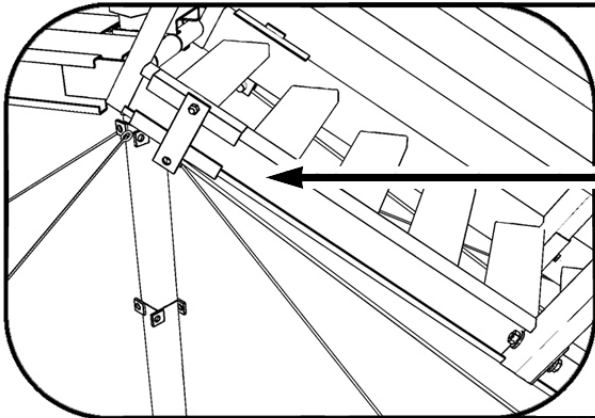
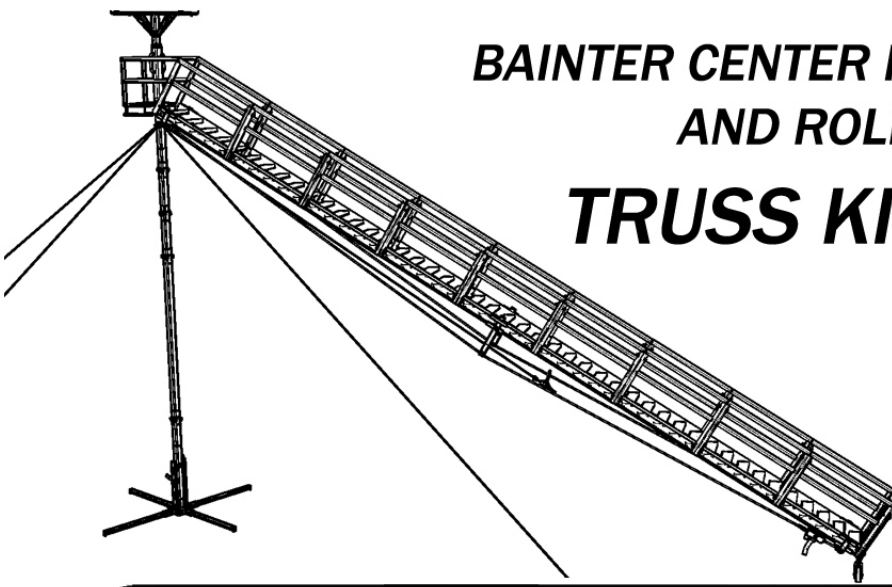
CAUTION

Stair Systems larger than 60' diameter need to be additionally supported with guy cables attached to the washers on the center pole and then secured to the concrete floor all 4 ways from the center pole. Place equal tension on all 4 cables. (Not Included)

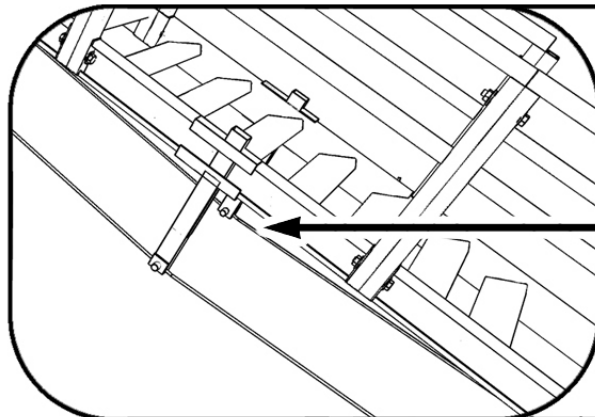
Stair systems of 90' and 105' diameter bins require a truss kit to strengthen the stairs. It is mounted under the stairs as shown above.

NEVER ALLOW MORE THAN TWO PEOPLE ON THIS STAIR SYSTEM AT ONE TIME!
Remember: Safety is of Prime Importance!

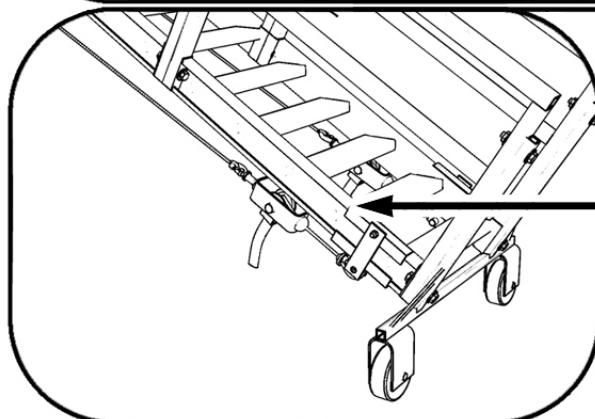
BAINTER CENTER RING SUPPORT AND ROLLING STAIRWAY TRUSS KIT DETAILS



Attach truss brackets to top of stairway (one on each side) Fasten chain or cable around hitch pin at bottom of bracket.



Attach longer truss brackets to middle of stairway (one on each side). Cable or chin rides on hitch pin at bottom of bracket.



Attach truss brackets to bottom of stairway (one on each side). Fasten chain or cable to a cable winch to tighten truss.